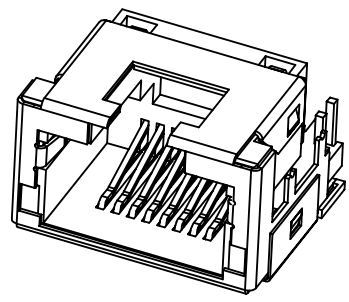
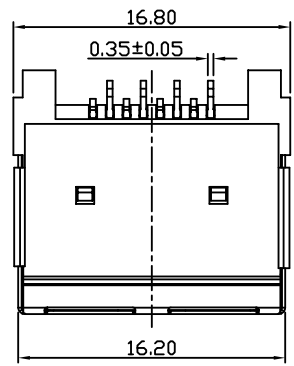
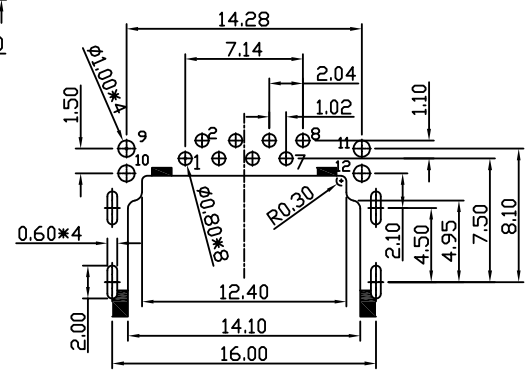
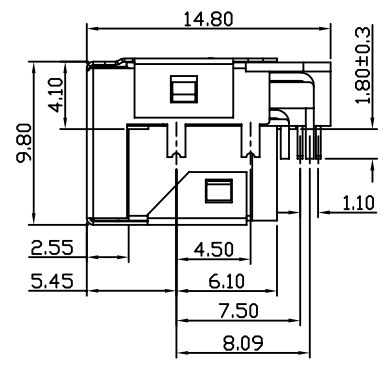
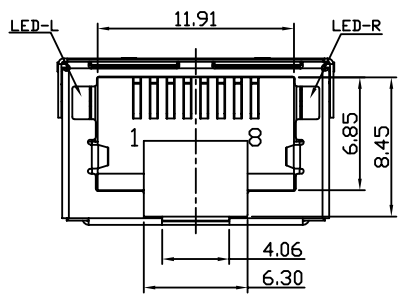


L K J I H

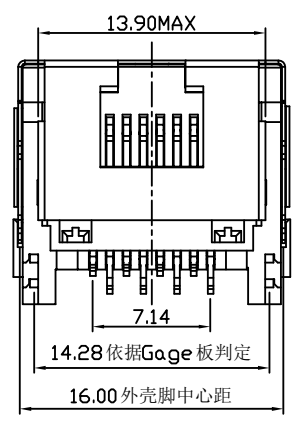
3  
2  
1



**STANDARD:**  
 1.COMPLIES WITH F.C.C STANDARDS OF PART 68.500 ELECTRICAL;  
 1.VOLTAGE RATING:125AV AC RMS  
 2.CURRENT RATING:1.5AMP  
 3.CONTACT RESISTANCE: 40 MILLIOHMS MAX  
 4.INSULATION RESISTANCE:500 MEGOHMS MIN @500V DC  
 5.DIELECTRIC STRENGTH:500V AC RMS 50Hz 1MIN  
**MATERIAL&FINISH**  
 HOUSING: LCP UL94V-0;BLACK  
 CONTACT: PHOSPHOR BRONZE,GOLD PLATING OVER NICKEL  
 SHELL: BRASS, Ni Plating  
 LED: OPTION(See Table 1 )  
**ENVIRONMENTAL:**  
 1.STORAGE:-40°C TO +85°C  
 2.OPERATION:-40°C TO +85°C



Recommend PCB Layout Jack  
 Top View Tolerance: ±0.05mm  
 THICKNESS:1.20mm



LED ELECTRICAL CHARACTERISTIC				
YELLOW		GREEN		
9	10	11	12	
LEFT LED		RIGHT LED		

Standard LED	Wavelength	Forward V (Min/Max)	Forward A	Type
Green	568nm	1.8V/2.8V	20mA	squareness
Yellow	585nm	1.8V/2.8V	20mA	squareness

**HULYN** 深圳惠興力電子有限公司  
 SHEN ZHEN HUILY ELECTRONICS CO.,LTD.

A0	RELEASED	Peng	2020-03-16
REV	DESCRIPTION.	APPD.	Date

FILE NO : HR60( Series)		TITLE 圖名		Shielded RJ45 Modular Jack, Through Hole Type, With LED Offset H9.80 SinkH4.10		UNIT 單位	mm inch
TOLERANCE(公差): 0.000 mm ± 0.15 mm 0.00 mm ± 0.25 mm 0.0 mm ± 0.30 mm		PART NO. 料號		HR6074S-1188N15B-21-2R		SCALE 比例	1:1
		DRAWN BY 製圖		Peng		DATE 日期	2020-03-16
		CHECKED BY 審核		Zhu		DATE 日期	2020-03-16

HTTP://www.huilyn.com