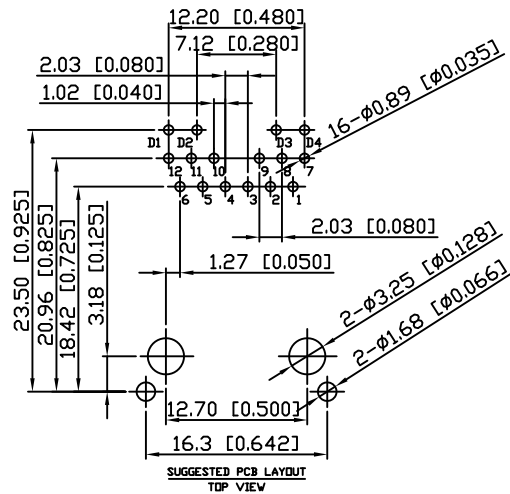
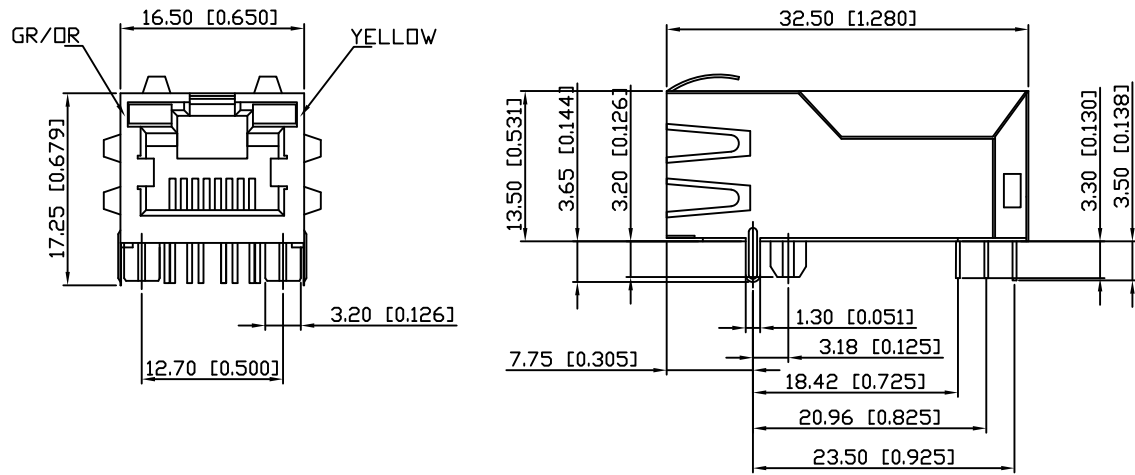
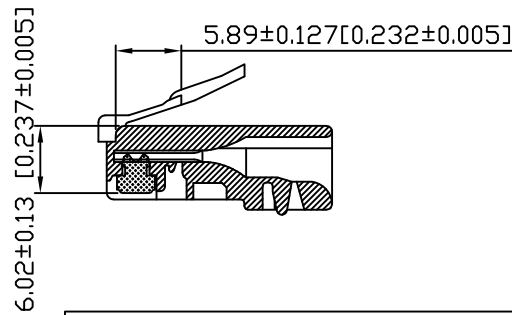


MECHANICAL:



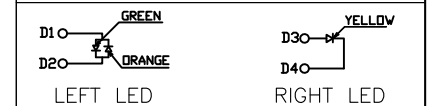
RECOMMENED PLUG DIMENSION:



Metal Shell : Copper Alloy, Finish: 30u" Nickel
 Housing : Thermoplastic,PBT,UL 94V-0,Black
 Insert : Thermoplastic,PBT,UL 94V-0,Black
 Contact Terminal/phosphor Bronze
 6u" Gold on Contact Area, 100u" Tin on Solder,
 Both over 50u" Nickel Under-Plated
 Coil Base : Phenolic,PBT,UL 94V-0,Black
 Terminal/Copper Alloy T=0.35mm Thickness

Meets or exceeds IEEE 802.3 standard for 10/100/1000 Base-TX
 350uH minimum OCL with 8mA Bias current
 Available with or without LEDs
 Minimum 1500Vrms isolation per IEEE802.3 requirement
 Operating temperature 0°C to +70°C
 Storage temperature -40°C to +85°C

LED ELECTRICAL CHARACTERISTIC



Standard LED	Wavelength	Forward V (Min/Max)	Forward A	Type
Green	568nm	1.8V/2.8V	20mA	squareness
Yellow	585nm	1.8V/2.8V	20mA	squareness
Orange	610nm	1.8V/2.8V	20mA	squareness

HULYN 深圳惠興力電子有限公司
 SHEN ZHEN HUILY ELECTRONICS CO.,LTD.

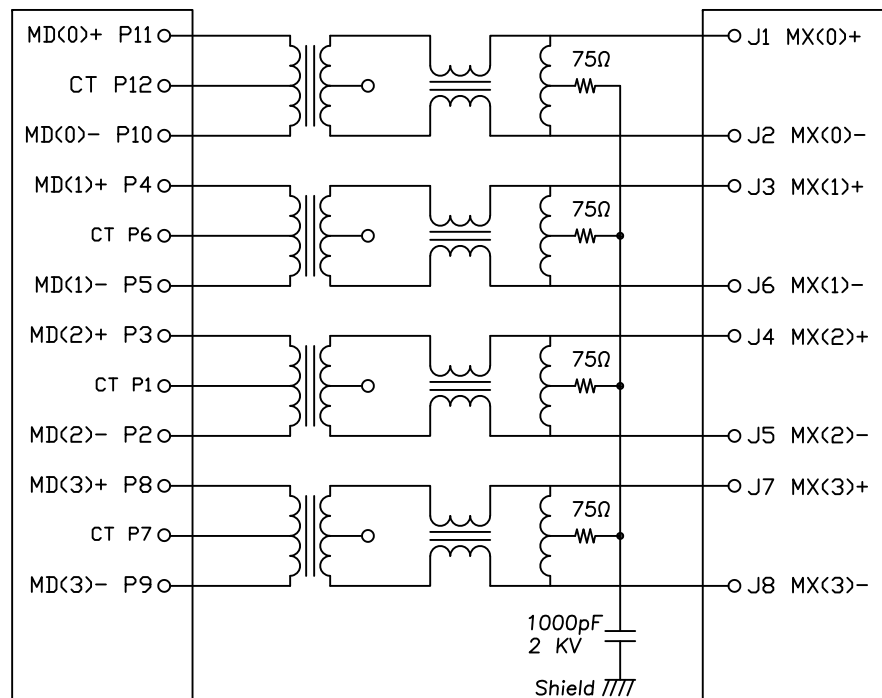
FILE NO :	HRC4(Series)	TITLE	RJ45 Connector With Transformer 1000Base Tab-UP 1x1 Port with LED	UNIT	mm
TOLERANCE(公差):	0.000 mm ± 0.10 mm 0.00 mm ± 0.25 mm 0.0 mm ± 0.30 mm	PART NO.	HRC4-1AK1G43-3D1BB-1R	SCALE	1:1
A0	RELEASED	APPD.	Peng	REV.	A.0
REV	DESCRIPTION.	APPD.	Date	DATE	2019-12-16

DATE	2019-12-19	CHECKED BY	Zhu	DATE	2019-12-16
DATE	16/12-19	DATE	2019-12-16	DATE	2019-12-16

ELECTRICAL SPECIFICATIONS@25°C UNLESS OTHERWISE NOTED:

SCHEMATICS:

- 1.Turn Ratio(+/-2%):1CT:1CT
- 2.Inductance OCL:
350uH Min @100KHz 0.1V DC BIAS 8mA
- 3.Insertion Loss:
-1.0dB Max @1.0-100MHz
- 4.Return Loss:
-20dB Min @1-10MHz
-16dB Min @10-30MHz
-12dB Min @30-60MHz
-10dB Min @60-100MHz
- 5.Cross talk:
-40dB Min @1-30MHz
-35dB Min @30-60MHz
-30dB Min @60-100MHz
- 6.Common Mode Rejection:
-35dB Min @1-100MHz
-20dB Min @50-150MHz
- 7.HIPOT TEST:1500Vrms 1mA.Max



HULYN

深圳惠興力電子有限公司
SHEN ZHEN HUILY ELECTRONICS CO.,LTD.

A0	RELEASED	Peng	16/12-19
REV	DESCRIPTION.	APPD.	Date

FILE NO : HRC4(Series)		TITLE 圖名		RJ45 Connector With Transformer 1000Base Tab-UP 1x1 Port with LED		UNIT 單位	mm inch
TOLERANCE(公差): 0.000 mm ± 0.10 mm 0.00 mm ± 0.25 mm 0.0 mm ± 0.30 mm		PART NO. 料號		HRC4-1AK1G43-3D1BB-1R		SCALE 比例	1:1
		DRAWN BY 製圖		Peng	DATE 日期	2019-12-16	REV. 版本
		CHECKED BY 審核		Zhu	DATE 日期	2019-12-16	